



**PHC3000**



**SACMI**  
Ceramics, better.

# PHC3000

---



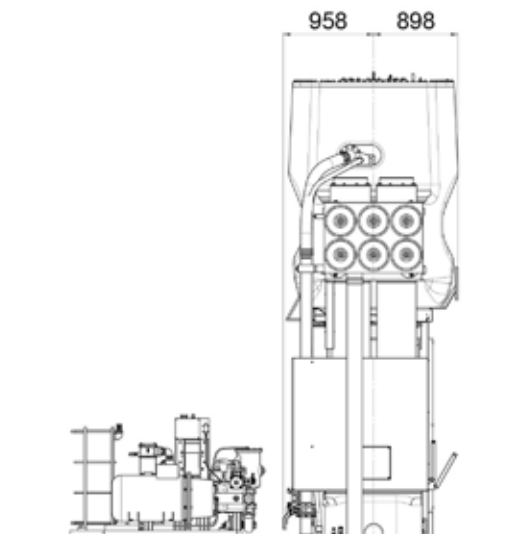
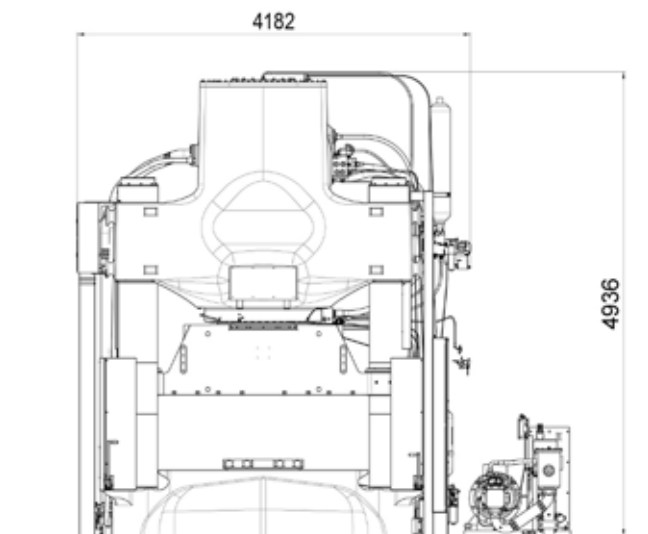
# 主要技术特性

## Key technical specifications

<b>最大压制力</b> Max pressing force	kN	30000	<b>马达装机功率</b> Installed power in motors	kW	97.5
<b>立柱间距</b> Clearance between columns	mm	2250	<b>液压系统油量</b> Oil quantity for hydraulic system	Lt	1200
<b>冲头最大行程</b> Max plunger stroke	mm	180	<b>液压油冷却水量 (20°C)</b> Oil cooling water (20°C)	lt	50/min
<b>脱模装置有效行程</b> Effective ejector stroke	mm	74	<b>压机机身总重量</b> Total net weight	ton	74
<b>最大顶出力</b> Maximum ejector force	kN	150			

## 尺寸

### Dimensions mm



遍及30个国家80家子公司的全球网络  
A worldwide network of 80 companies in 30 countries



**萨克米机械（佛山南海）有限公司**  
中国广东省佛山市南海区狮山镇南海经济开发区北园兴业北路  
邮政编码：528225  
电话：+86-757-81206111 / 81206100  
传真：+86-757-81206195  
邮箱：info@sacmi.cn  
网址：www.sacmi.cn

**SACMI MACHINERY (FOSHAN NANHAI) CO., LTD.**  
Xingye North Road, North Park of Nanhai Economic Development Zone, Shishan Town  
Nanhai District, Foshan City, Guangdong Province, Postal Code 528225, P.R. China  
Tel: +86-757-81206111 / 81206100 - Fax: +86-757-81206195  
E-mail: info@sacmi.cn - Url: www.sacmi.cn

SACMI RESERVES THE RIGHT TO MAKE CHANGES WITHOUT NOTICE

萨克米有权进行修改，恕不预先通知